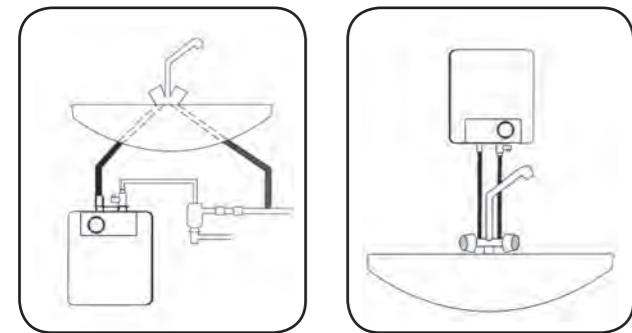
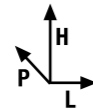


# A12 SP-ST

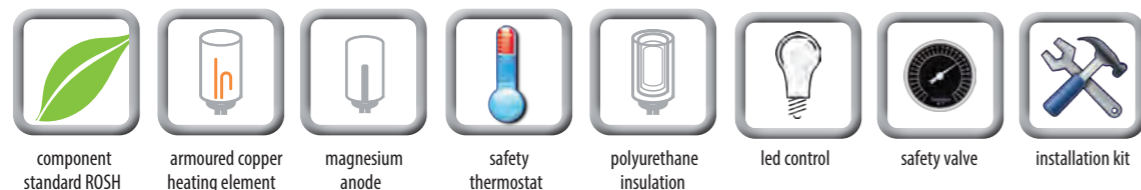


model	H	L	P	
A12 SP	mm 410	350	220	oversink
A12 ST	mm 410	350	220	undersink

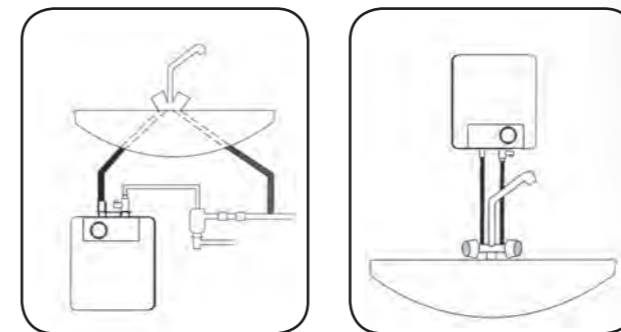


MODEL	Profile	Energy Class	Thermal dispersion 65°C (Kwh/24h)	Power Watts	Voltage Volts	Heating time dt 50°C	Max temperature °C	Max pressure (bar)
A12 SP	XXS	B	0,38	1500	230	30'	75	8
A12 ST	XXS	C	0,38	1500	230	30'	75	8

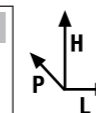
model	Ref. Code	Bar Code	description
<b>2 YEARS GUARANTEE</b>			
A12 SP	SE0012R2P	8023945 021222	Lt. 12 oversink
A12 ST	SE0012R2T	8023945 031221	Lt. 12 undersink
<b>5 YEARS GUARANTEE</b>			
A12 SP	SE0012R5P	8023945 021253	Lt. 12 oversink
A12 ST	SE0012R5T	8023945 031252	Lt. 12 undersink



# A15 SP-ST



model	H	L	P	
A15 SP	mm 410	350	260	oversink
A15 ST	mm 410	350	260	undersink



MODEL	Profile	Energy Class	Thermal dispersion 65°C (Kwh/24h)	Power Watts	Voltage Volts	Heating time dt 50°C	Max temperature °C	Max pressure (bar)
A15 SP TR	XXS	B	0,42	1500	230	32'	65	8
A15 ST TR	XXS	C	0,42	1500	230	32'	65	8
A15 SP	XXS	B	0,42	1500	230	32'	65	8
A15 ST	XXS	C	0,42	1500	230	32'	65	8

model	Ref. Code	Bar Code	description
<b>2 YEARS GUARANTEE</b>			
A15 SP	SE0015R2P	8023945 041220	Lt. 15 oversink
A15 ST	SE0015R2T	8023945 051229	Lt. 15 undersink
A15 SP TR	SE0015R2P001	8023945 151226	Lt. 15 oversink with outer regulation
A15 ST TR	SE0015R2T001	8023945 161226	Lt. 15 undersink with outer regulation
<b>5 YEARS GUARANTEE</b>			
A15 SP	SE0015R5P	8023945 041251	Lt. 15oversink
A15 ST	SE0015R5T	8023945 051250	Lt. 15 undersink
A15 SP TR	SE0015R5P001	8023945 151257	Lt. 15 oversink with outer regulation
A15 ST TR	SE0015R5T001	8023945 161256	Lt. 15 undersink with outer regulation

