

# B14



Electric storage water heater 14lt, "Doccetta"

## + Why to choose it:

- High versatility of installation, even into not-on-sight furniture
- Small dimensions require short period to heat water
- Double outlet to connect in various points for serving hot water
- Kit of mixer and shower hoses included
- Mixer to regulate the water's flow

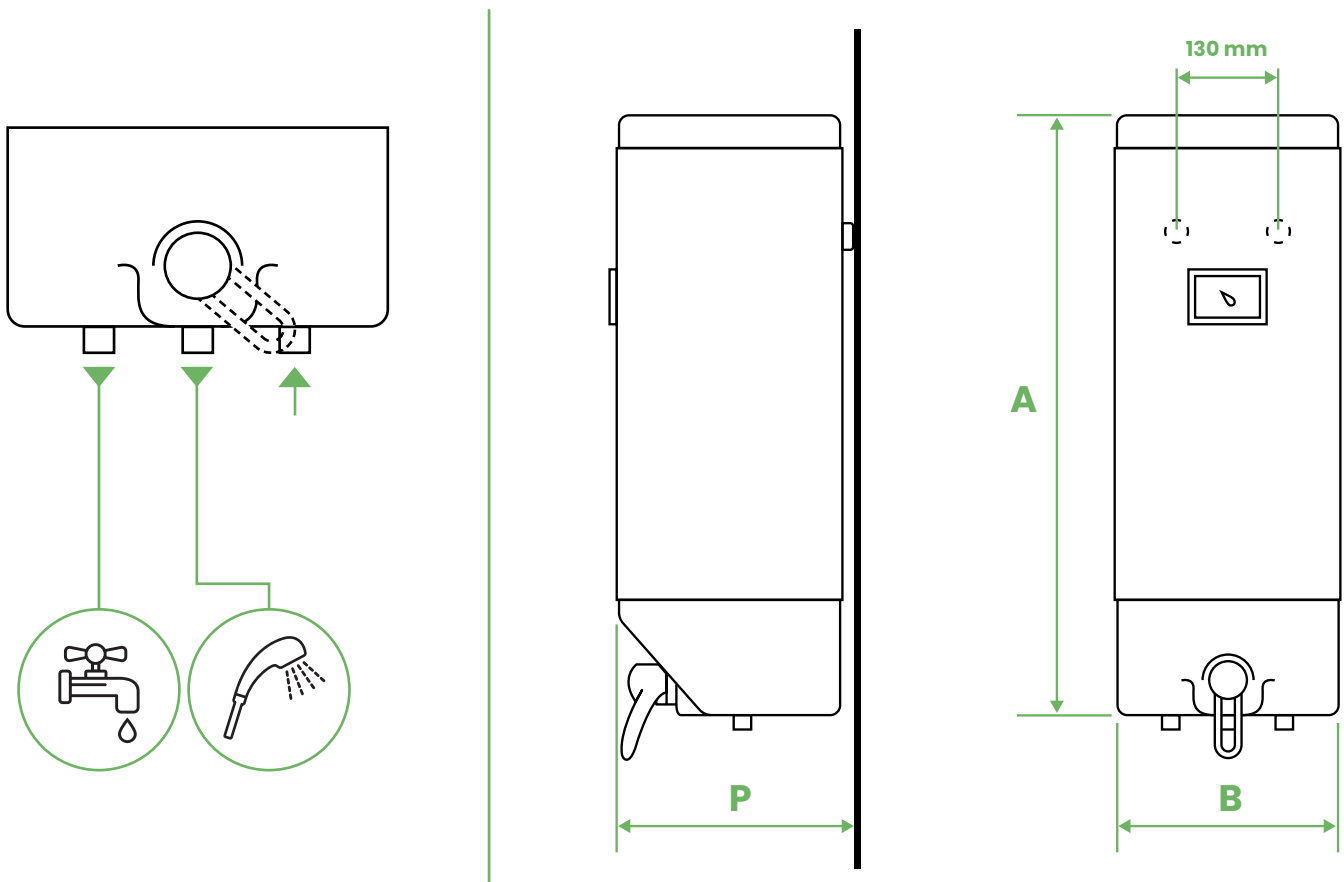
## TECHNICAL DATA

	<b>B14</b>
<b>Thermal Dispersiom 50° (KWh/24h)</b>	0.52
<b>Power (W)</b>	2000
<b>Voltage (v)</b>	230
<b>Heating time (Δt 50°)</b>	26'
<b>Max working temperature (C°)</b>	65°
<b>Max working pressure (bar)</b>	8
<b>Protection against humidity</b>	IPX4
<b>Insulation class</b>	I
<b>Profile</b>	XXS
<b>Energy Class</b>	B

- +** **DOUBLE OUTLET** FOR CONNECTION TO SEVERAL HOT WATER DELIVERY POINTS
- +** **KIT OF MIXER, HOSE AND SHOWER ARM** AS STANDARD
- +** **SINGLE LEVER MIXER** TO REGULATE THE WATER FLOW
- +** **ABSENCE OF CFC; POLYURETHANE FOAM** FOR ECOLOGICAL THERMAL INSULATION



## DIMENSIONS



	A	B	P
<b>B14</b>	640 mm	230 mm	220 mm