

B30



Electric storage water heater 30lt with external regulation of temperature.

+ Why to choose it:

- Perfect to heat water for kitchen or sink use
- High versatility of installation, even into not-on-sight furniture
- Small dimensions require short period to heat water

TECHNICAL DATA

	B30
Thermal Dispersiom 50° (KWh/24h)	0,7
Power (W)	1500
Voltage (V)	230
Heating time (Δt 50°)	70'
Max working temperature (C°)	65°
Max working pressure (bar)	8
Protection against humidity	IPX4
Insulation class	I
Profile	S
Energy Class	C

+ **INCREASED MAGNESIUM ANODE,**
FOR TOTAL PROTECTION AGAINST
VACANT CURRENTS

+ **GLASS ENAMELED**
TANK

+ **ABSENCE OF CFC;**
POLYURETHANE FOAM
FOR ECOLOGICAL THERMAL
INSULATION

+ **EXTERNAL REGULATION**
OF TEMPERATURE



**COPPER
HEATING ELEMENT**



THERMOSTAT



**LED
CONTROL**



**ROHS
COMPONENT**



**MAGNESIUM
ANODE**



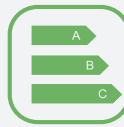
**POLYURETHANE
FOAM CFC FREE**



**INSTALLATION
KIT**



**EXTERNAL REGULATION
OF TEMPERATURE**



ERP 2017

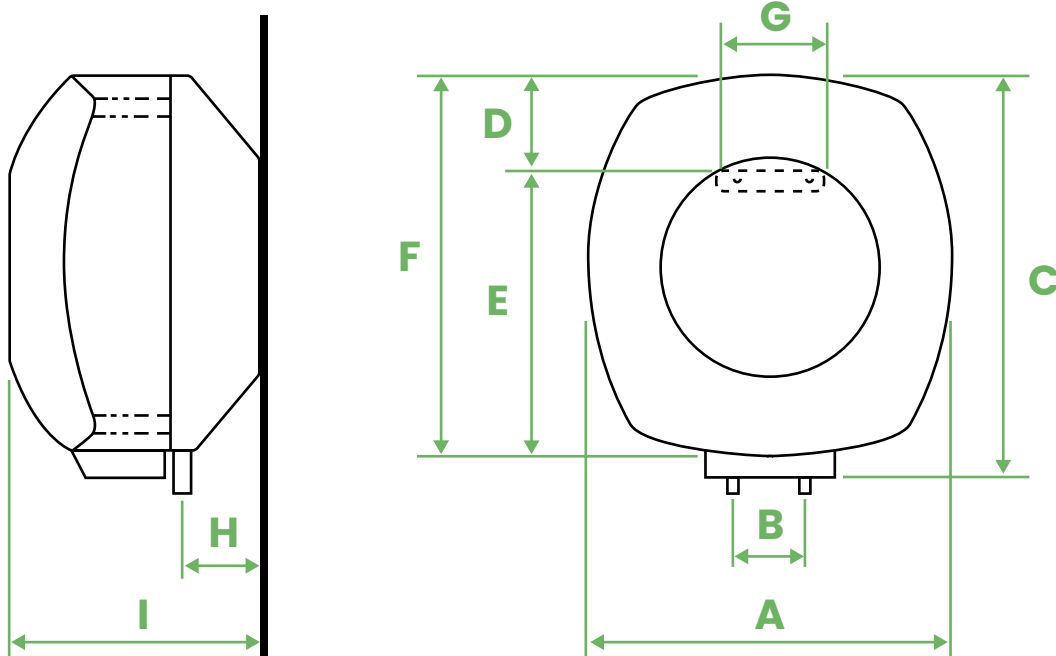


**SMOKE
CONTROL**



**ENVIRONMENT
RESPECT**

DIMENSIONS



	A	B	C	D	E	F	G	H	I
B30	475 mm	100 mm	530 mm	120 mm	365 mm	485 mm	140 mm	105 mm	325 mm