

# SO

 50 / 80 / 100 / 120 / 150 / 200 *lt*


Electric storage water heater, horizontal wall installation. Available with electrical connection on the right or left, on request.

## + Why to choose it:

- It is the classic model, which has been around for years in Italian homes to satisfy the most various hot water needs.

- It is an easy installation product, which allows you to have hot water ready for use: ideal for treating yourself to a nice one relaxing and regenerating hot shower!

\* the indicated power is the one suggested by the manufacturer for the best combination of performance / energy saving, other powers are also available on customer request

## TECHNICAL DATA

	SO 50	SO 80	SO 100	SO 120	SO 150	SO 200
<b>Thermal Dispersiom 50° (KWh/24h)</b>	1,11	1,61	1,66	2,02	2,29	2,55
<b>Power (W)</b>	1500	1500	1500	1500	2000	2000
<b>Voltage (V)</b>	230	230	230	230	230	230
<b>Heating time (Δt 50°)</b>	145'	232'	245'	280'	310'	372'
<b>Max working temperature (C°)</b>	65°	65°	65°	65°	65°	65°
<b>Max working pressure (bar)</b>	8	8	8	8	8	8
<b>Protection against humidity</b>	IPX4	IPX4	IPX4	IPX4	IPX4	IPX4
<b>Insulation class</b>	I	I	I	I	I	I
<b>Profile</b>	M	M	M	L	XL	XL
<b>Energy Class</b>	C	C	C	C	C	C

**+** **INCREASED MAGNESIUM ANODE,**  
FOR TOTAL PROTECTION AGAINST  
VACANT CURRENTS

**+** **GLASS ENAMELED**  
TANK

**+** **ABSENCE OF CFC;**  
**POLYURETHANE FOAM**  
FOR ECOLOGICAL THERMAL  
INSULATION

**+** HUMIDITY PROTECTION CLASS  
**IPX4**



**COPPER  
HEATING ELEMENT**



**SMOKE  
CONTROL**



**ENVIRONMENT  
RESPECT**



**MAGNESIUM  
ANODE**



**LED  
CONTROL**



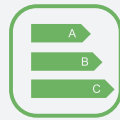
**ROHS  
COMPONENT**



**POLYURETHANE  
FOAM CFC FREE**

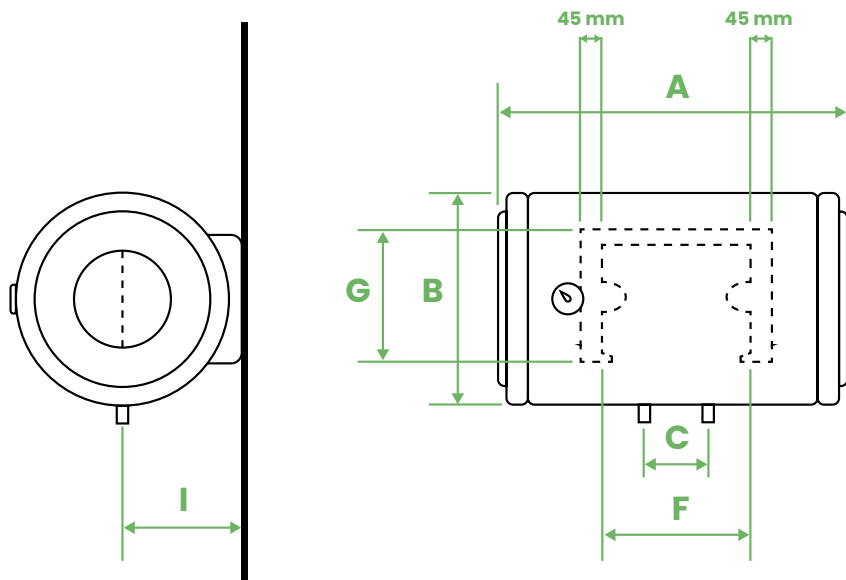


**THERMOSTAT**



**ERP  
2017**

## DIMENSIONS



	<b>A</b>	<b>B</b>	<b>C</b>	<b>F</b>	<b>G</b>	<b>I</b>
<b>SO 50</b>	510 mm	460 mm	100 mm	125 mm	350 mm	240 mm
<b>SO 80</b>	700 mm	460 mm	100 mm	330 mm	350 mm	240 mm
<b>SO 100</b>	805 mm	460 mm	100 mm	435 mm	350 mm	240 mm
<b>SO 120</b>	1000 mm	460 mm	100 mm	510 mm	350 mm	240 mm
<b>SO 150</b>	935 mm	550 mm	140 mm	450 mm	350 mm	285 mm
<b>SO 200</b>	1105 mm	550 mm	140 mm	640 mm	350 mm	285 mm